
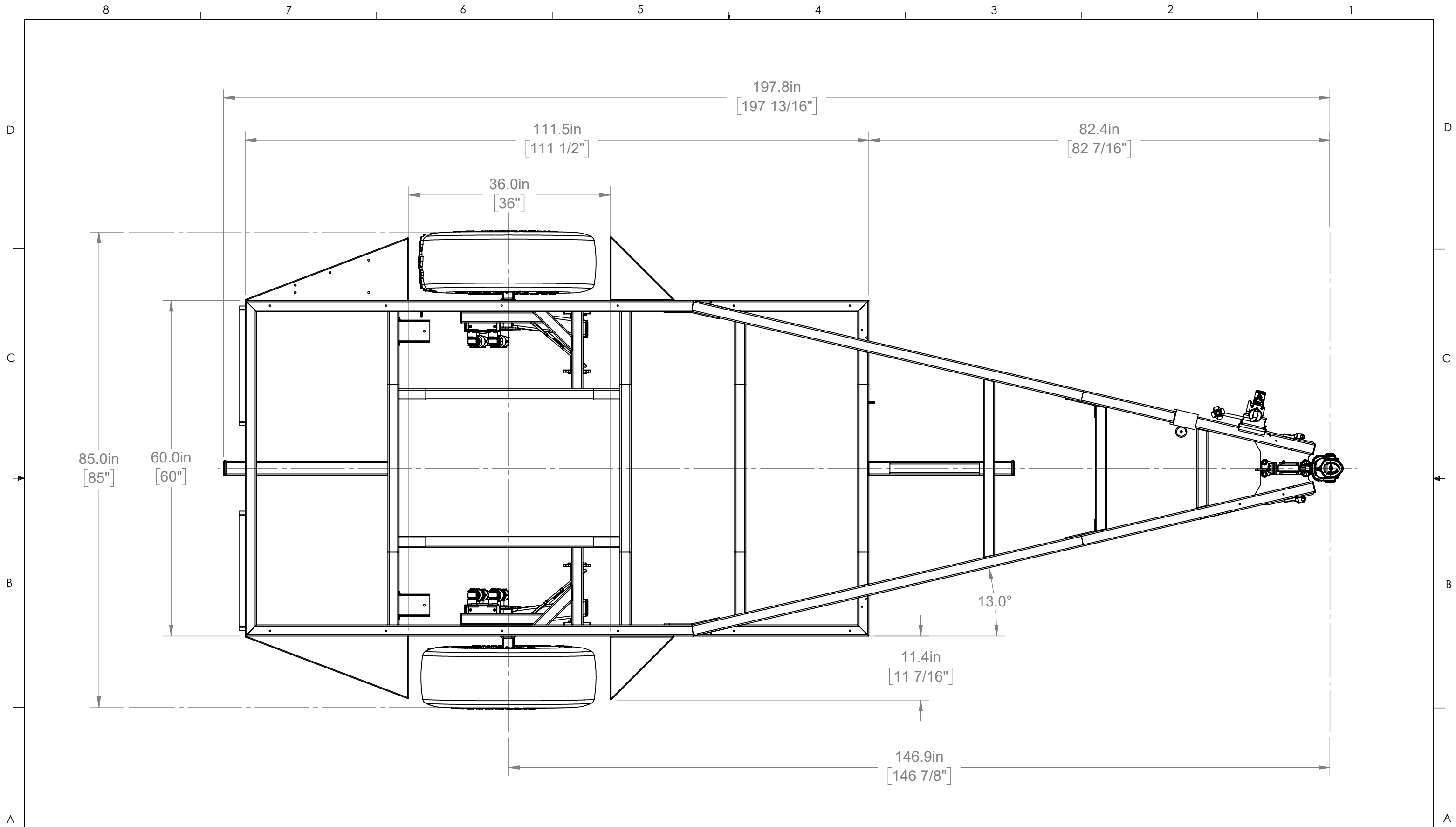


NOTES:


1. PAINT: POWDER COAT BK 62
2. TIRES: BFGOODRICH ALL TERRAIN T/A KO2
3. TIRE SIZE: 235/80R17
4. WHEEL SIZE: 17"X8"
5. BOLT PATTERN: 6X5.5"(139.7mm)
6. OFFSET: -6.0mm

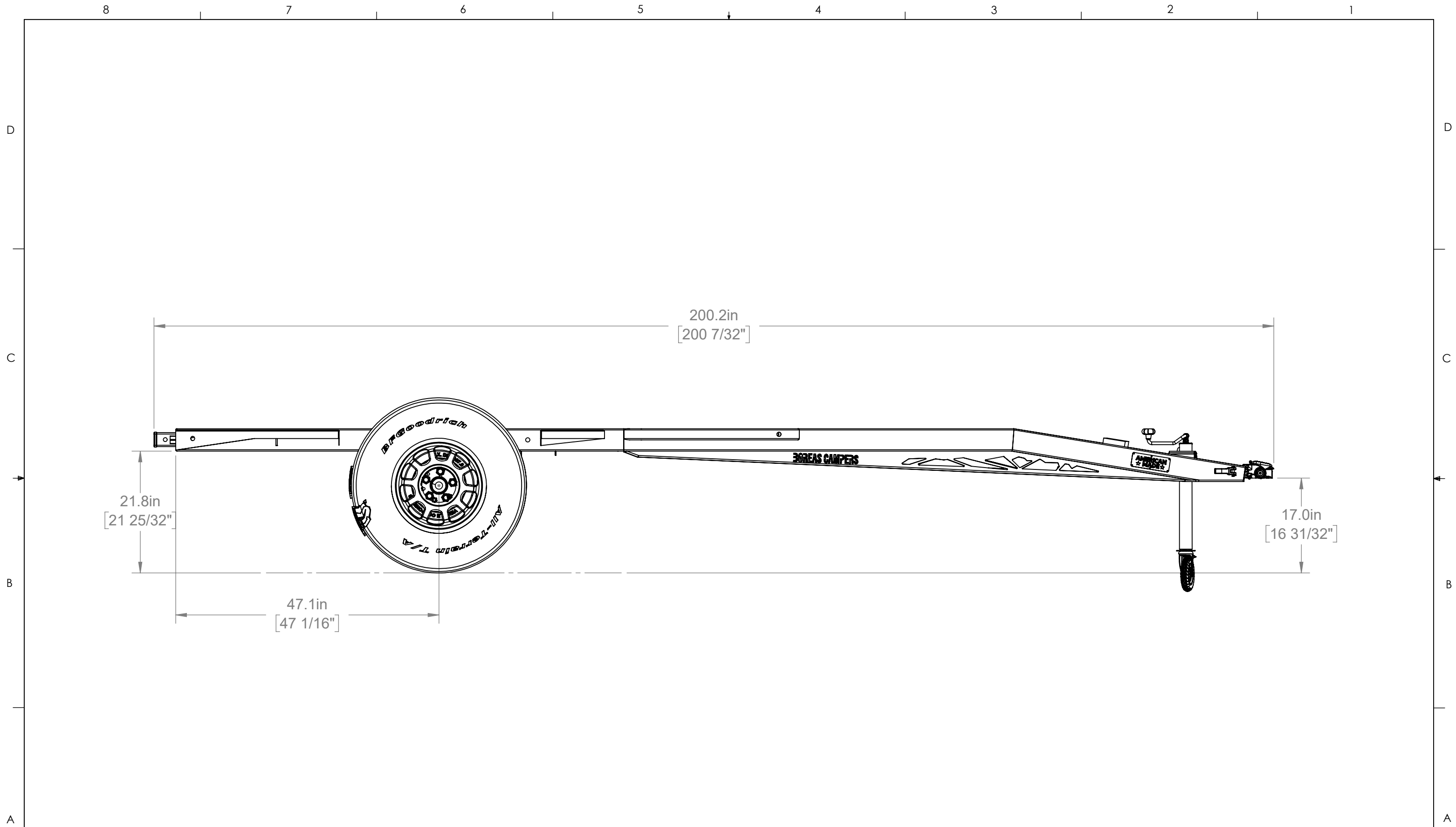
	A	INITIAL RELEASE	CY	3/27/2023
ZONE	REV.	NOTE	CHANGED BY	DATE
NAME: Base 2023 Chassis				
AUTHOR: CLAYTON YOUNG			REV: A	
 3004 S. PRAIRIE AVE, PUEBLO, CO 81005 720.515.2762   BOREASCAMPERS.COM			SCALE: 1:16	
			SHEET 1 of 5	



NOTES:


1. ALL SECONDARY DIMENSIONS ROUNDED TO NEAREST 32nd

NAME: Base 2023 Chassis	
AUTHOR: CLAYTON YOUNG	REV: <b>A</b>
 3004 S. PRAIRIE AVE, PUEBLO, CO 81005 720.515.2762   BOREASCAMPERS.COM	
SCALE: 1:16	
SHEET 2 of 5	

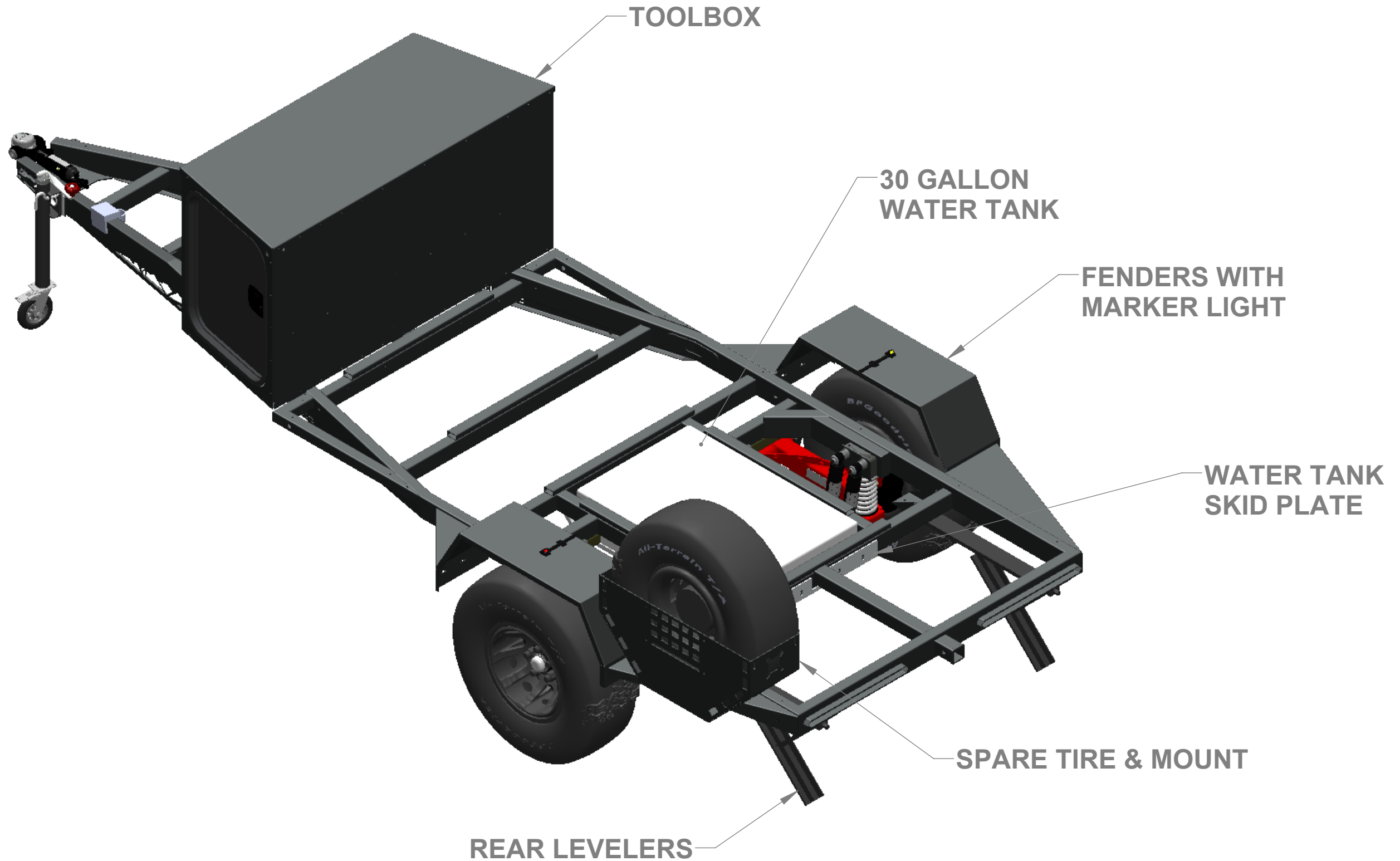


NOTES:

1. ALL SECONDARY DIMENSIONS ROUNDED TO NEAREST 32nd

NAME: Base 2023 Chassis		REV: <b>A</b>
AUTHOR: CLAYTON YOUNG		SCALE: 1:16
 3004 S. PRAIRIE AVE, PUEBLO, CO 81005 720.515.2762   BOREASCAMPERS.COM		SHEET 3 of 5

# \*OPTIONS SHOWN\*



NAME: 2023 Chassis With Options	
AUTHOR: CLAYTON YOUNG	REV: <b>A</b>
3004 S. PRAIRIE AVE, PUEBLO, CO 81005	
720.515.2762   BOREASCAMPERS.COM	
SCALE: 1:16	
SHEET 4 of 5	

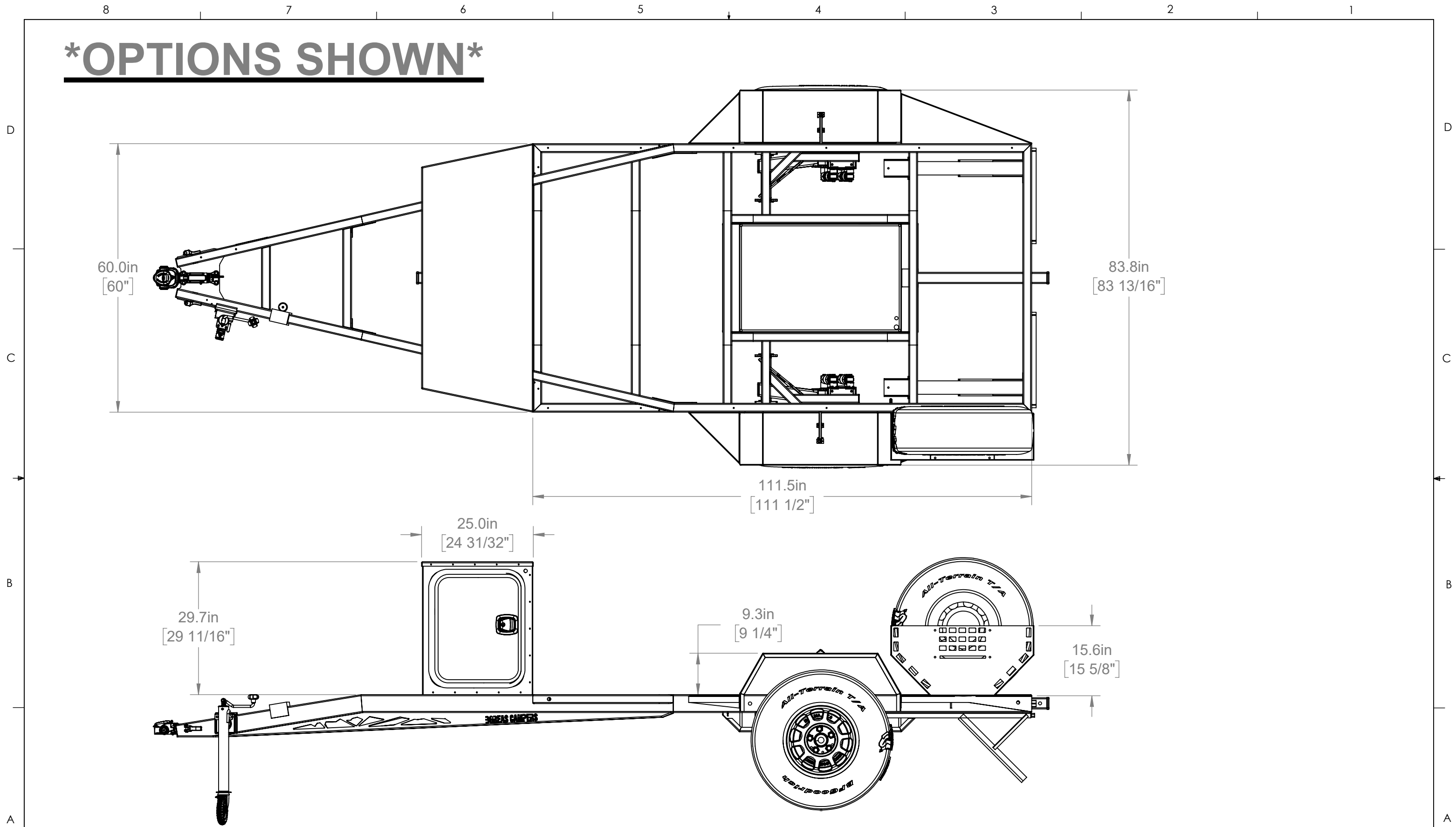
8 7 6 5 4 3 2 1

D  
C  
B  
A

D  
C  
B  
A


8 7 6 5 4 3 2 1

# \*OPTIONS SHOWN\*



**NOTES:**

1. ALL SECONDARY DIMENSIONS ROUNDED TO NEAREST 32nd

NAME: 2023 Chassis With options	
AUTHOR: CLAYTON YOUNG	REV: <b>A</b>
 3004 S. PRAIRIE AVE, PUEBLO, CO 81005 720.515.2762   BOREASCAMPERS.COM	
SCALE: 1:20	
SHEET 5 of 5	