

# BOREAS XT-12 HYBRID SPEC SHEET

info@boreascampers.com

720.515.3775

5774 Lamar St

Arvada, CO 80002

www.boreascampers.com



***Camp Is Where You Tow It***



# BOREAS XT-12 HYBRID EXTERIOR

info@boreascampers.com  
720.515.3775  
5774 Lamar St  
Arvada, CO 80002  
www.boreascampers.com

**-Composite and Metal Construction – NO WOOD**

**-Large Front Storage Box (optional luggage rack or bike racks available)**

**-Full Sized Spare Tire**

**-Front Rock Guard**

**-Mud Flaps**



**-Cruisemaster XT Coil/Shock Independent Suspension**

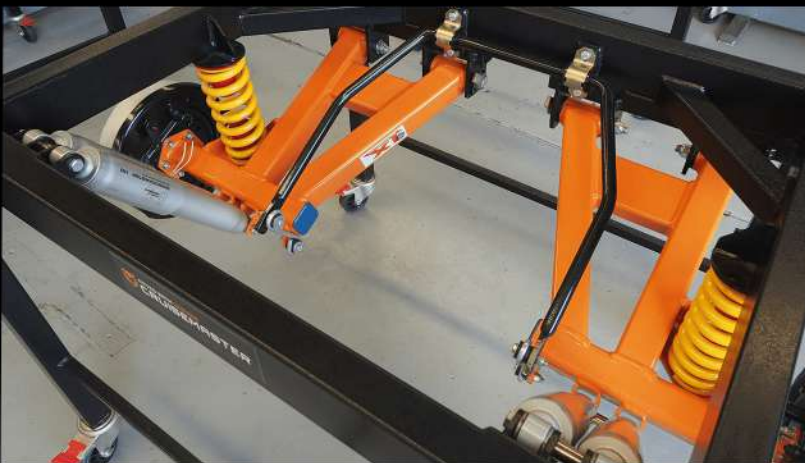
**- (Optional Air Ride and Auto Level)**

**-Cruisemaster D035 Hitch Coupler**

**w/ Parking Brake**

**-Ark Jockey Wheel**

**-Ark Corner Steadies**



## Camp Is Where You Tow It



# BOREAS XT-12 HYBRID EXTERIOR

info@boreascampers.com  
720.515.3775  
5774 Lamar St  
Arvada, CO 80002  
www.boreascampers.com

***-23Zero 270 Degree Awning (Optional Wall Enclosure)***

***-Fold Down Rear Steps w/ Adjustable Legs***

***-Undercarriage and Courtesy Lighting***

***-Exterior LED Lighting***

***-Rear Camera***



***-Tern Windows and Doors w/ Built In Screens and Shades***

***-Exterior Shower (Optional Shower Room Enclosure)***

***-Exterior Power Sources (12v/110v/Solar)***

***-Single Piece Fiberglass Molded Roof***

***-Bluetooth Speaker System***



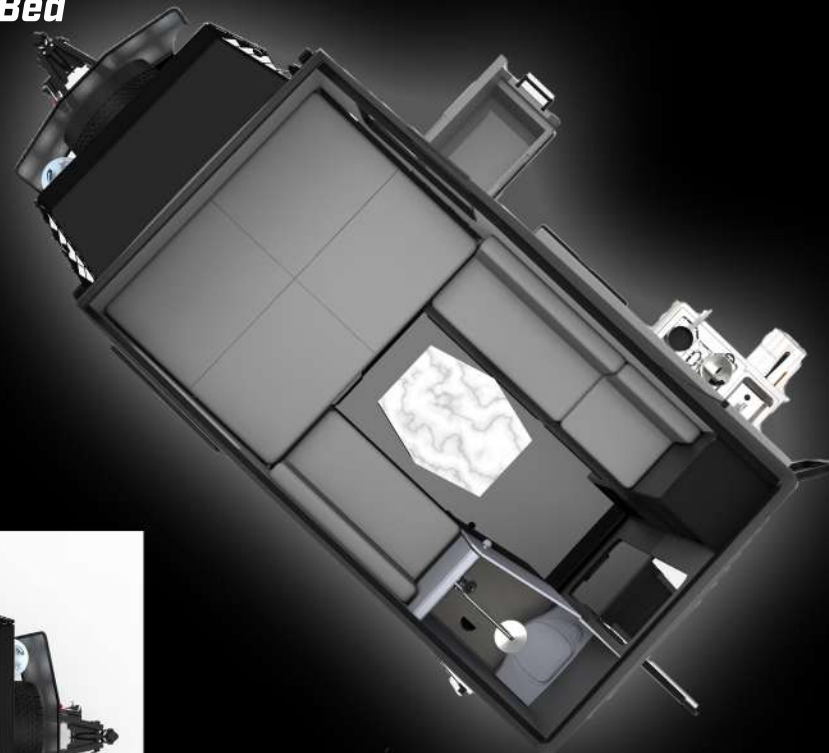
## ***Camp Is Where You Tow It***



# BOREAS XT-12 HYBRID INTERIOR

info@boreascampers.com  
720.515.3775  
5774 Lamar St  
Arvada, CO 80002  
www.boreascampers.com

- Sleeping For 4 Adults [ 5th Child With Fold Down Bunk Option]**
- Dinette Bench Seat Folds Down To Double Bed**
- 6'6" Standing Height w/ Roof Open**
- Wet Bath w/Cassette Toilet and Shower**
- Permanent Queen Bed**
- Dinette Table w/ Seating Up To 5**



- Under Bench Storage**
- Rear Pantry Storage**
- Fully Insulated Cabin**
- LED Lighting Throughout**
- Interior Power Sources [12v/110v]**
- Tern Roof Hatch Window [Located Over Queen Bed]**
- Maxxair 7500 Overhead Fan [Thermostat, Remote, Rain Sensor, 10 Speed w/Reverse]**

**Camp Is Where You Tow It**



# BOREAS XT-12 HYBRID GALLEY KITCHEN

info@boreascampers.com

720.515.3775

5774 Lamar St

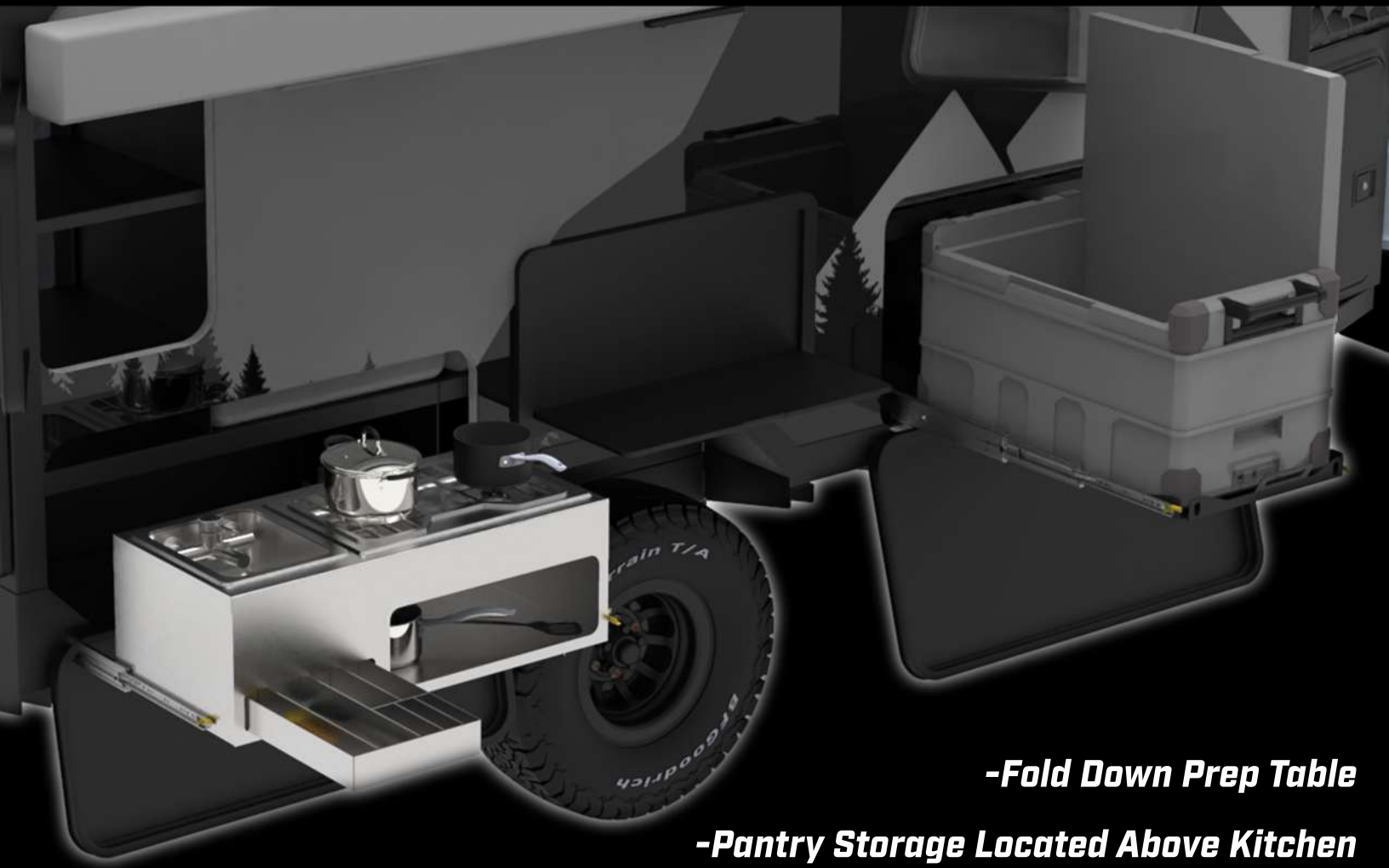
Arvada, CO 80002

www.boreascampers.com

**-3 Burner Furion Cook Top (7800 BTU's Per Burner)**

**-Stainless Steel Sink With Hot and Cold Water**

**-Stainless Steel Pull Out Kitchen System With Undercounter Storage**



**-Fold Down Prep Table**

**-Pantry Storage Located Above Kitchen**

**-Truma 96L Dual Zone Fridge and Freezer or 105L Single Zone Fridge/Freezer**

## Camp Is Where You Tow It



# BOREAS XT-12 HYBRID SYSTEMS

info@boreascampers.com

720.515.3775

5774 Lamar St

Arvada, CO 80002

www.boreascampers.com

**-Garmin Fusion Tablet - Control Operation of all RV Systems Through a Portable Touch Screen**

**- Monitors batteries and tank levels, operate lighting, fan, heat, A/C,**

**inverter, music and speaker zones, ect**

**- Can be used in the tow vehicle for navigation and rear trailer camera**

**-Truma Combi Eco Plus Forced Air**

**Furnace and Cn Demand Hot Water**

**-Heated Tanks and Water Lines For 4 Season Camping**



**-Victron 2000w Pure Sine Inverter/Transfer Switch Combo (4000w Surge)**

**-300 Watts of Zamp Obsidian Ultra-Thin Glass Panels**

**-Victron MPPT Solar Charge Controller**

**-200AH's of Lithium Batteries**

**-Prewired For Portable Solar Panels**

**-30amp Shore Power**

**-50 Gallons of Fresh Water**

**-25 Gallons of Grey Water**

**-Water Filtration System**

**-Dual 20lb Propane Tanks**



## Camp Is Where You Tow It



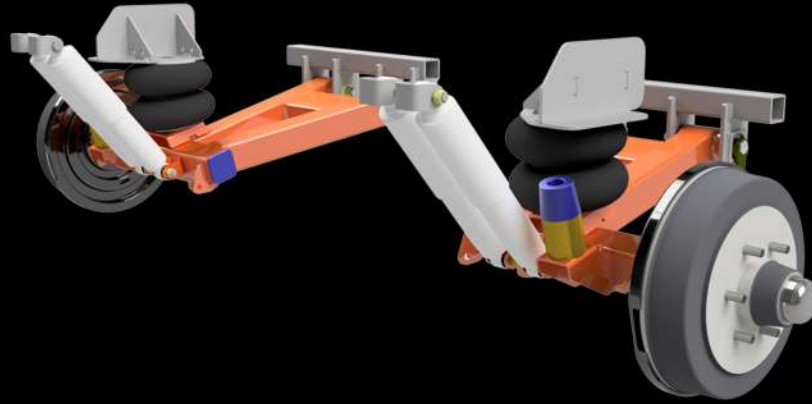
# BOREAS XT-12 HYBRID ADD-ONS & UPGRADES

info@boreascampers.com  
720.515.3775  
5774 Lamar St  
Arvada, CO 80002  
www.boreascampers.com

***Cruisemaster XT Air Kit - Air bags replace the coils for fine tuning of camper ride.***

***Includes on board air compressor with wireless controls and auto level using the Garmin Fusion One Control. Includes extra air port for general use.***

**\$4,450.00**



***110V Air Conditioner Option - Coleman Mach 8 Roughneck.***

- This is a 15,000btu unit designed for use in off road vehicles and construction equipment.***
- We will option this with the “soft start” system that will allow for some limited run time off of the standard Victron 2000W inverter.***
- For extended run time a generator or shore power will be required.***

**\$1,950.00**



## ***Camp Is Where You Tow It***



# BOREAS XT-12 HYBRID ADD-ONS & UPGRADES

info@boreascampers.com  
720.515.3775  
5774 Lamar St  
Arvada, CO 80002  
www.boreascampers.com

## **12V Air Conditioner Option - *Nomadic Cooling 2800.***

- This is a 9,553BTU unit designed for off grid A/C
- Run time on the standard 200ah of lithium is 3-4 hours depending on load and climate.  
[This time estimate does not account for the 300 watts of roof top solar.]
- Additional lithium can be added to extend this option.
- The unit will run from a generator or shore power when available.

**\$4,750.00**



## **Lithium Batteries**

**Additional batteries are available - 100ah each**

**\$1,250.00**



# **Camp Is Where You Tow It**

